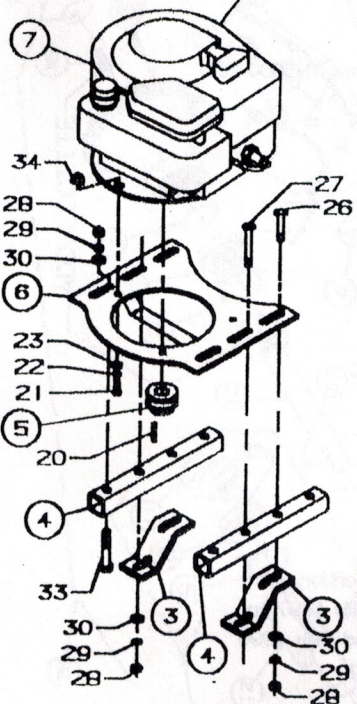
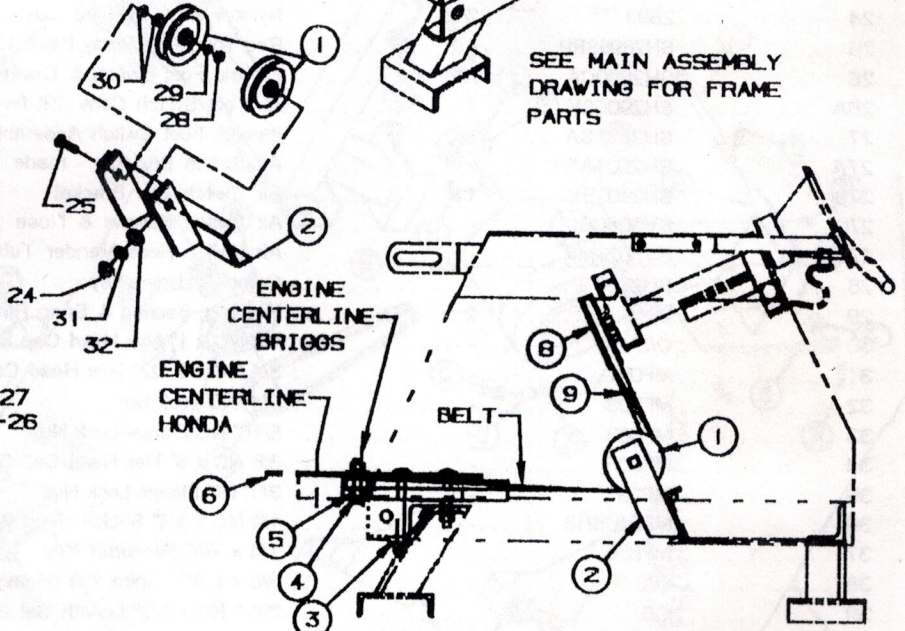
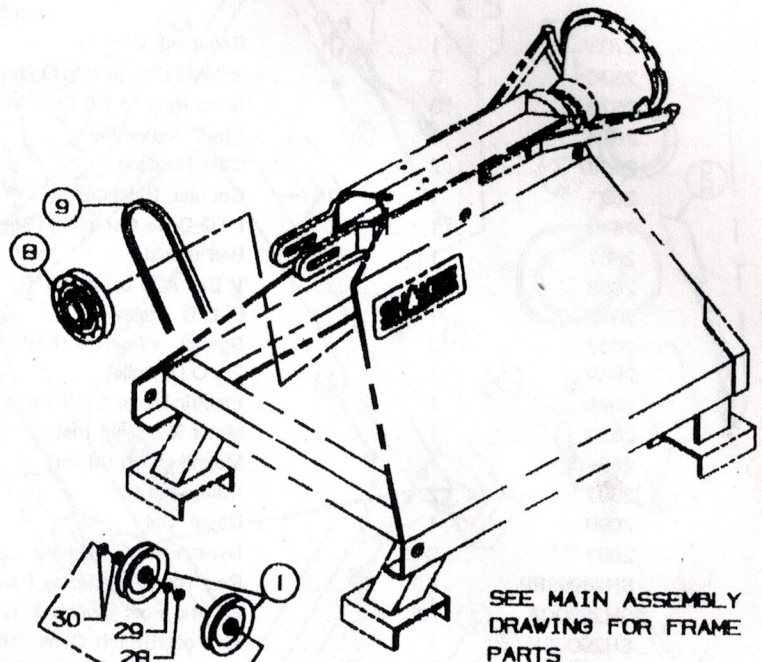
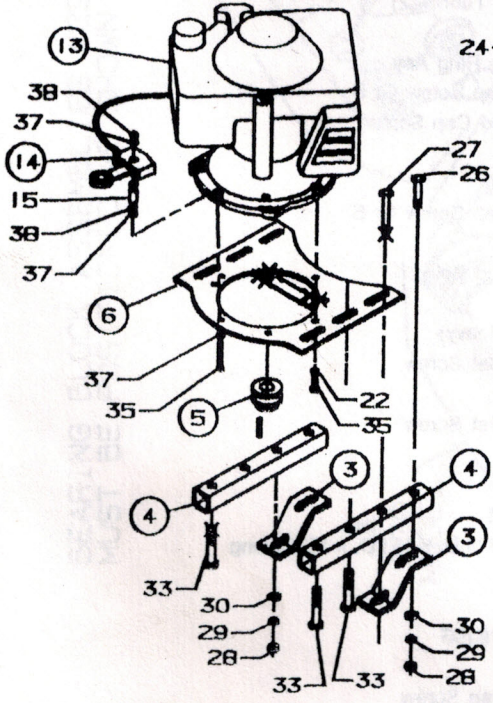


TECUMSEH 3-1/2 H.P.  
ENGINE USED PRIOR TO 1993.  
BRIGGS 3-3/4 HP ENGINE



HONDA 5 HP ENGINE



PART LOCATION AND BELT ROUTING  
AS VIEWED FROM SIDE OF UNIT.

- (10) ENGINE CONVERSION KIT  
FROM PTO TO GAS ENGINE
- (11) CONVERSION KITS FROM TECUMSEH TO BRIGGS
- (12) CONVERSION KIT FROM BRIGGS OR  
TECUMSEH TO 5 HP HONDA